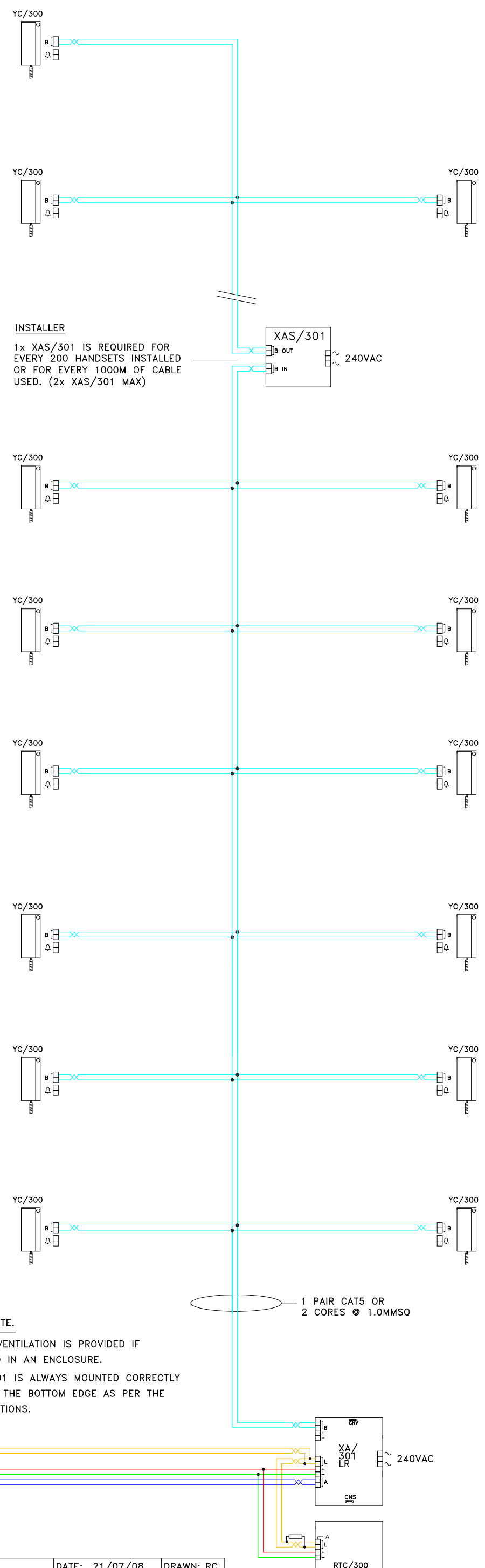


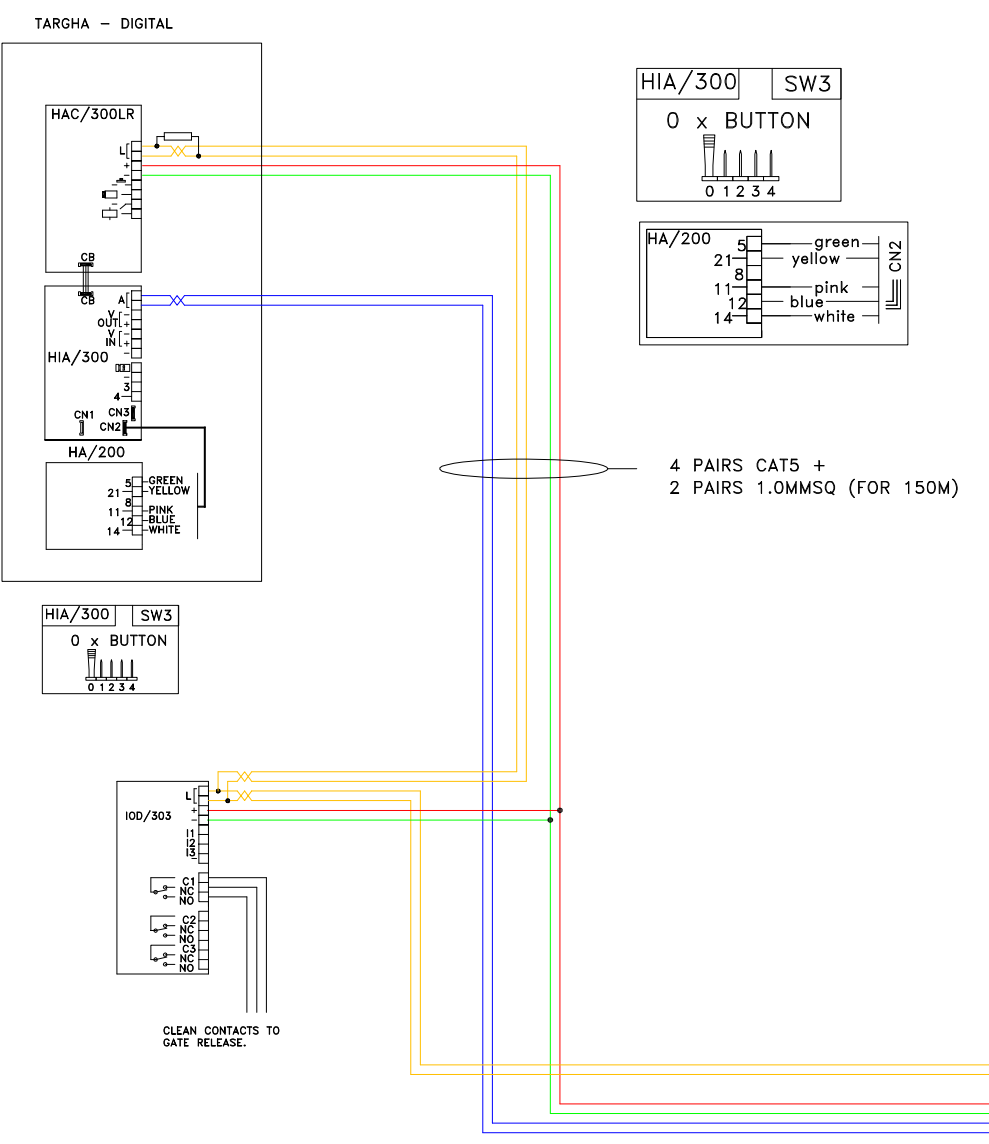
# RISER DISTRIBUTION

- IT IS VITAL THAT THE CLOSING RESISTANCES SHOWN ON THE DRAWING AS 56R & 120R ARE CONNECTED AS INDICATED.
- THE TWISTED PAIRS MUST NOT BE UNTWISTED TO SIMPLIFY INSERTION INTO TERMINALS., KEEP THEM TWISTED TOGETHER ALL THE WAY INTO THE TERMINALS



**INSTALLER**  
 1x XAS/301 IS REQUIRED FOR EVERY 200 HANDSETS INSTALLED OR FOR EVERY 1000M OF CABLE USED. (2x XAS/301 MAX)

**IMPORTANT INSTALLER NOTE.**  
 ENSURE THAT SUITABLE VENTILATION IS PROVIDED IF THE XA/301 IS MOUNTED IN AN ENCLOSURE.  
 ENSURE THAT THE XA/301 IS ALWAYS MOUNTED CORRECTLY WITH THE TERMINALS ON THE BOTTOM EDGE AS PER THE MANUFACTURERS INSTRUCTIONS.



BPT (UK) LTD. HERTS. ENGLAND	PREPARED FOR INSTALLER INFORMATION	DATE: 21/07/08	DRAWN: RC
DRAWING TITLE:		REVISED:	
1 X SYSTEM 300 DIGITAL AUDIO ENTRY PANEL WITH TRADES & 200 LYNEA HANDSETS IN A SINGLE RISER		DRAWING No: C-XT1YNCTT(AUD)	